



INSTRUCTION BULLETIN

No. 9014969
Machine: M17
Published: 05-2016
Rev. 00

NOTE: DO NOT DISCARD the Parts List from the Instruction Bulletin. Place the Parts List in the appropriate place in the machine manual for future reference. Retaining the Parts List will make it easier to reorder individual parts and will save the cost of ordering an entire kit.

NOTE: Numbers in parenthesis () are reference numbers for parts listed in Bill of Materials.

Installation instructions for **kit number 9017320**

SYNOPSIS:

This kit contains the parts needed to install the left brush cover panel onto M17 machines. Please follow step-by-step instructions.

SPECIAL TOOLS / CONSIDERATIONS: NONE

(Estimated time to complete: 20 minutes)



PROTECT THE ENVIRONMENT

Please dispose of packaging materials, used machine components such as batteries and fluids in an environmentally safe way according to local waste disposal regulations.



Always remember to recycle.

PREPARATION:

1. Remove the packaging material from the machine and move the machine from the shipping skid.

FOR SAFETY: Before leaving or servicing machine, stop on level surface, turn off machine, set parking brake, and remove key.

INSTALLATION:

1. Use the two M8 hex screws (2) and two flat washers (3) to install the left brush cover panel (1) onto the machine. (Fig. 1)

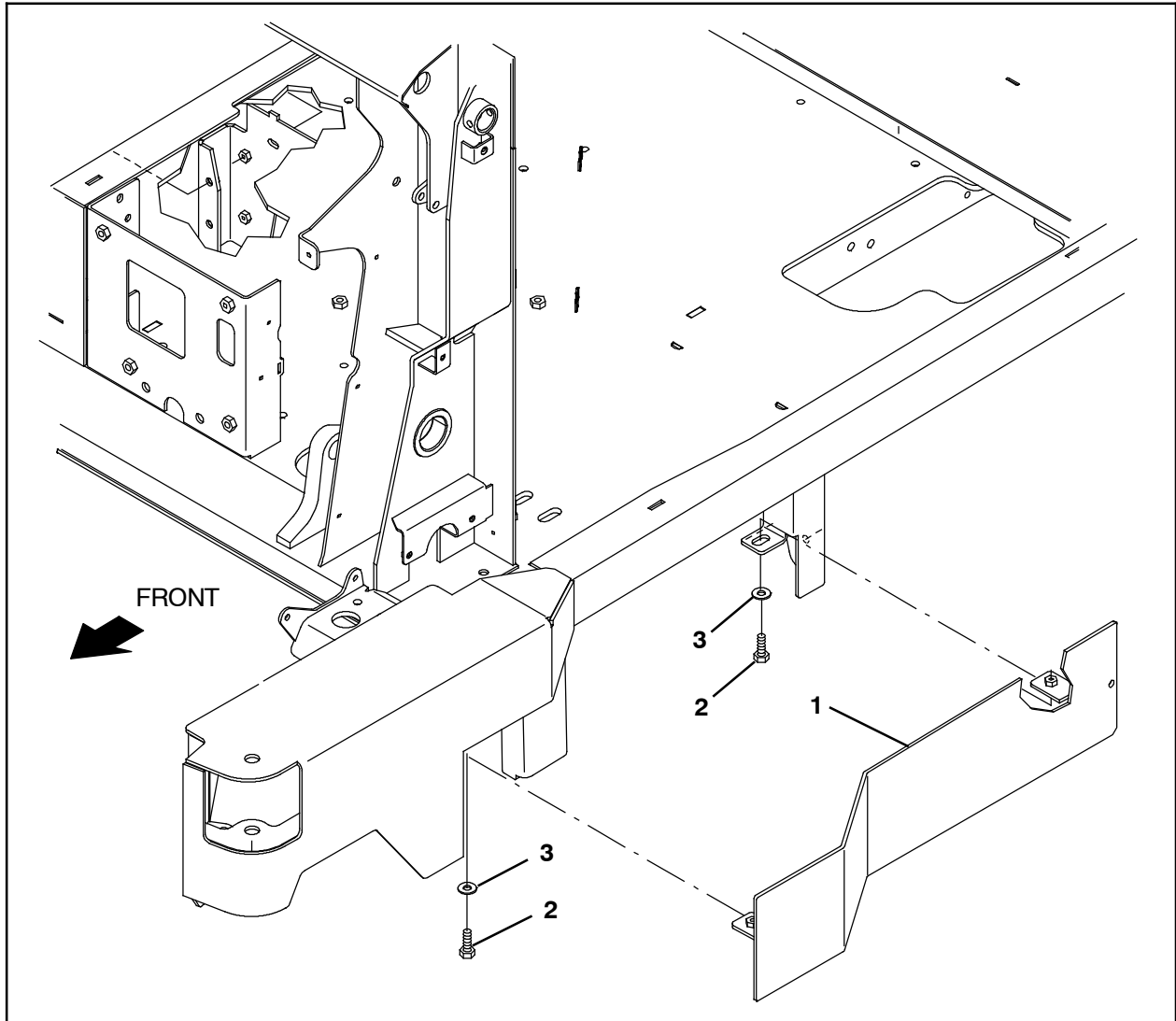


FIG. 1

Bill Of Materials For Skid Kit, FI - 9017320

Ref.	Tennant Part No.	Description	Qty.
1	1220899	Panel Wldt, Cover, Brush, LH	1
2	09010	Screw, Hex, M8 X 1.25 X 25, SS	2
3	1017218	Washer, Flat, 0.32B 1.00D .12, SS	2

TENNANT COMPANY
P. O. Box 1452
Minneapolis, MN 55440-1452